

Installation Instruction - SW3-669

A. Introduction

LGMM-EXT-R is an extension kit and sealing pad for the L[G]M[X]M range of antennas. This kit has been specially designed to allow mounting on ribbed panels and uneven surfaces. The kit contains an extension bush with slotted nuts and washers and a semi-closed cell EPDM foam pad to seal the mounting hole and to shape itself to the uneven features on the mounting panel. This installation guide must be read with the full installation instructions for the relevant version of the L[G]M[X]M range.

B. Select A Suitable Mounting Location

Select a mounting location and ensure that there is adequate clearance under the mounting panel. Measure to check for central position if necessary. The area where the mounting hole will be placed should be as flat as possible and must allow for a 1 inch (25mm hole). If mounting the antenna to a ribbed panel with raised ribs larger than 2 inches (50mm) in width then the antenna should be mounted on the highest part of the rib if possible. The antenna should not be mounted to gulleys / valleys in ribbed areas where the height of the ribs is >0.3 inches (8mm). Take care to avoid mounting the antenna in close proximity to other objects on the mounting panel.

C. Prepare and Make A Hole

Assemble the extension bush to the antenna tightening fully with a spanner. Mask the panel area around the hole position to protect the paintwork and headliner and check for under-panel clearance. Drill a pilot hole, and then increase the hole diameter to 1 inch (25mm), ensuring that drill/cutter bit does not contact the headliner. Clean area around the hole, carefully removing all swarf. Apply some petroleum jelly or paint around the hole to prevent corrosion.

D. Fitting the Antenna

Remove the protective backing from the underside of the antenna, feed the coaxial cable through the EPDM pad and adhere the EPDM pad to the base of the antenna. Feed the coaxial cables through the panel. Position the antenna over the hole ensuring correct orientation. Assemble the nut and washer from underside and tighten as much as possible, ideally to a hard stop, without damaging or warping the panel. Do not overtighten. Take care to ensure that the antenna does not rotate during this process. The foam pad has a semi-closed cell structure and will only seal if properly compressed. The minimum required compression is > 70% in the area around the mounting hole, the target compression for an optimal seal should be ~80%.

E. Complete the Installation

Complete the installation, commission and test procedures as detailed in the full installation instructions for the L[G]M[X]M range.

F. Important Notices



DO NOT

- jetwash or pressure wash the antenna or pad directly.
- mount the antenna to a location where 70% pad compression cannot be achieved around the mounting bush.
- overtighten the antenna when mounting as this may warp the panel.
- attempt to install the antennas without the proper safe equipment to access the install location.
- chew parts or put them in mouth, keep away from unsupervised children.



European Waste Electronic Equipment Directive 2002/96/EC

Waste electrical products should not be disposed of with household waste. All electronic products with the WEEE logo must be collected and sent to approved operators for safe disposal or recycling. Please recycle where facilities exist. Many electrical/electronic equipment retailers facilitate "Distributor Take-Back scheme" for household WEEE. Check with your Local Authority or electronic retailers for designated collection facilities where WEEE can be disposed of for free.



Directive 2011/65/EU (RoHS 2)

RoHS 2 compliance is declared per Directive 2011/65/EU and its subsequent amendments with exemption 6.c applied.

REACH (Registration, Evaluation, Authorisation and Restriction of Chemicals, EC 1907/2006)

This product contains Lead (CAS No. 7439-92-1) which is classified as an SVHC (Substance of Very High Concern) as being toxic to reproduction under Article 57c. of REACH. **Do not chew parts or put them in mouth, keep away from unsupervised children. Dispose of parts as WEEE waste do not send to landfill.**

Waiver: This document represents information compiled to the best of our present knowledge. It is not intended as a representation or warranty of fitness of the products described for any particular purpose. This document details guidelines for general information purposes only. Always seek specialist advice when planning installations and ensure that antennas are always installed by a properly qualified installer in compliance with local laws and regulations.

Installation Instruction - SW3-669

G. Installation Images

Fig.1 Kit contents

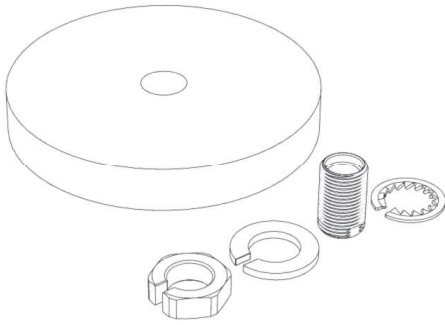


Fig.2 Install extension bush

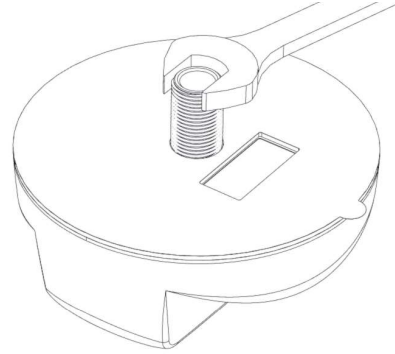


Fig.3 Locate foam pad - adhere to antenna pad

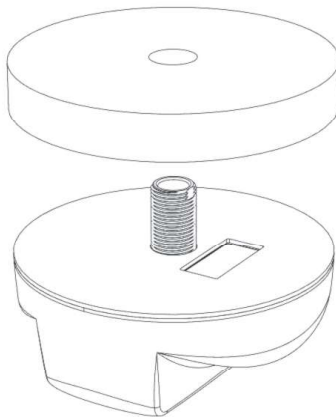


Fig.4 Fit antenna

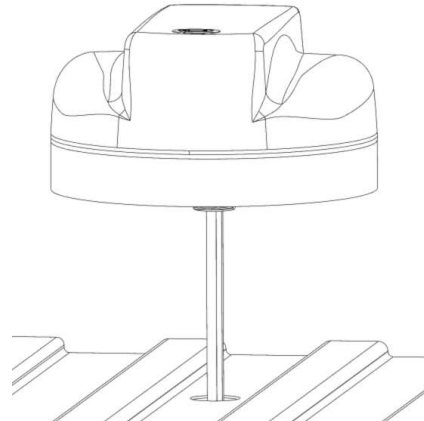


Fig.5 Tighten nut fully to hard stop

