

Wideband Terminal Antenna

PWB-7-60-RSMAP



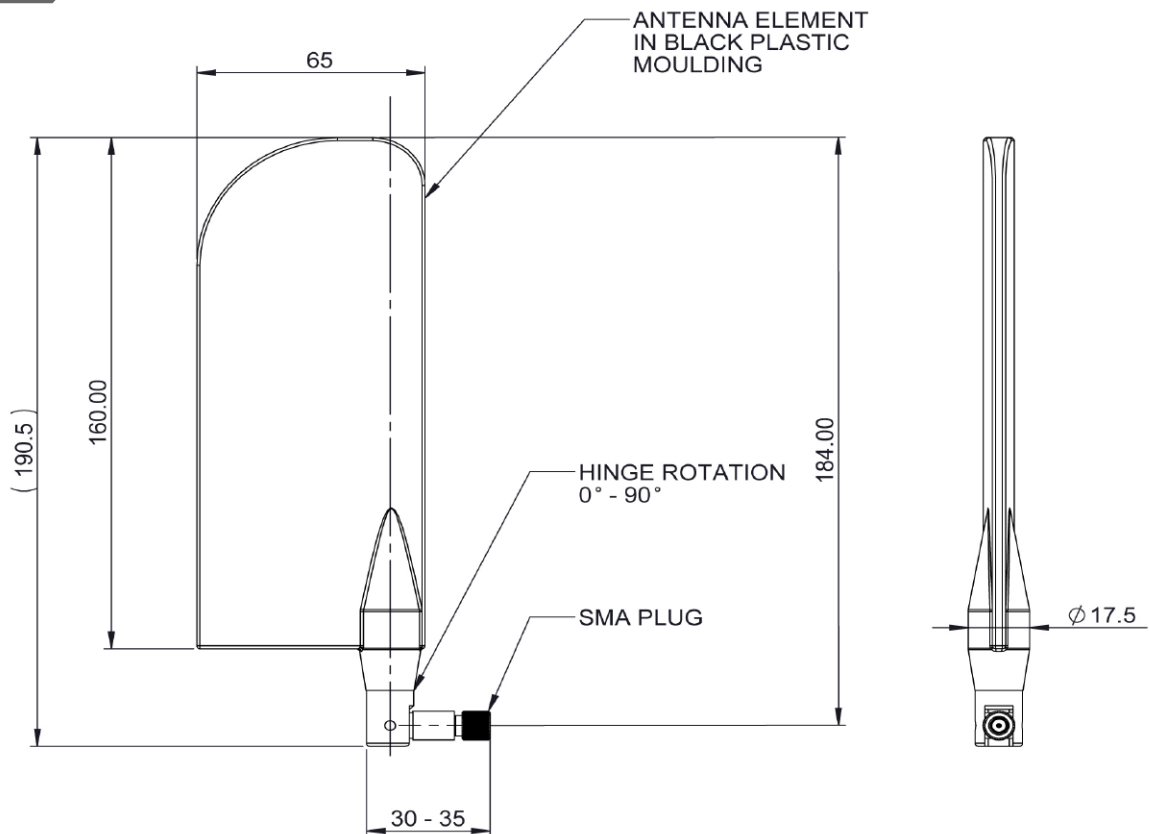
PWB-7-60-RSMAP

Ultra Wide Band
Suitable for routers and terminals
Articulated connector

The PWB-7-60-RSMAP antenna is a ground plane independent antenna covering 698-3800/5200-6000MHz

Designed for terminals and routers the PWB-7-60-RSMAP offers an articulated connector for flexible positioning.

Technical Drawing



Wideband Terminal Antenna

PWB-7-60-RSMAP

Product Data

Part No.		PWB-7-60-RSMAP
Electrical Data		
Frequency Range (MHz)	698-3800/5200-6000MHz	
Typical VSWR	<3.5:1	
Peak Gain: Isotropic*	698-960MHz /2.4-2.7GHz	~2dBi
	1710-2170MHz /3.4-3.8GHz	~4dBi
	5.2-6GHz	~3dBi
Polarisation	Vertical	
Pattern	Omni-directional	
Impedance	50Ω	
Max Input Power (W)	10	
Mechanical Data		
Dimensions (mm)	Length	184 (7.2")
	Width	65 (2.56")
	Thickness	17.5(0.7")
Material	Black ABS	
Operating Temp (°C)	-22° / 158°F (-30° / +70°C)	
Termination Data		
Type	Articulated SMA plug connector	

Electrical Data

